

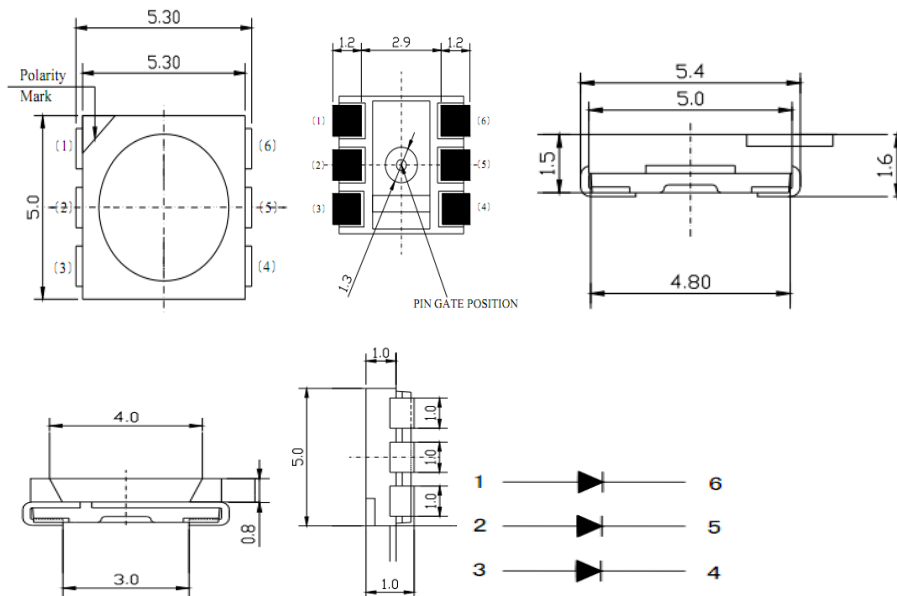
※ Features:

1. Package: 5.3\*5.0\*1.8mm (TOP view infrared LED)
2. Emitted Color: Infrared
3. Mono-color type
4. Soldering methods: All SMT assembly methods
5. Comply ROHS standard.

※ Applications:

1. LCD back light.
2. Mobile phones: LCD.
3. Status indicators: Consumer & industrial electronics.
4. General use.

※→Package Outline Dimension:



1. All dimensions are in millimeters (inches).
2. Tolerance is  $\pm 0.10$ mm unless otherwise specified.
3. Specifications are subject to change without notice.

※ Absolute Maximum Ratings( $T_a=25^\circ\text{C}$ )

Parameter	Symbol	Rating	Unit
Power	Dissipation	$P_d$	200 mW
Forward	Current	$I_F$	60 mA
Peak Forward	Current * 1	$I_{FP}$	150 mA
Reverse	Voltage	$V_R$	5 V
Soldering Temperature	$T_{sol}$	260 (for 5 seconds)	$^\circ\text{C}$
Storage -	Temperature	$T_{stg}$	$-40^\circ\text{C}\sim 85^\circ\text{C}$
Electrostatic	discharge ESD	2000 V	-
Operating Temperature	$T_{opr}$	$-30^\circ\text{C}\sim 85^\circ\text{C}$	-

\* 1 IFP condition: pulse of 1/10 duty and 0.1ms width.

※ Electrical-optical characteristics(Ta=25°C)

Parameter	Symbol	Min	Typ.	Max.	Unit	Condition
Forward Voltage	Vf	1.2		1.6	V	IF=60mA
Luminous Intensity	Lm				lm	
Luminous Intensity	Iv				mcd	
Dominant Wavelength			940		nm	
Viewing Angle	2θ1/2				deg	
Reverse Current	IR	-	-	10	μA	VR=5V

- . Note: 1. Tolerance of luminous intensity is ±10%
- 2. Tolerance of forward voltage is ±0.05V

※ Typical Electro-Optical Characteristics Curves

